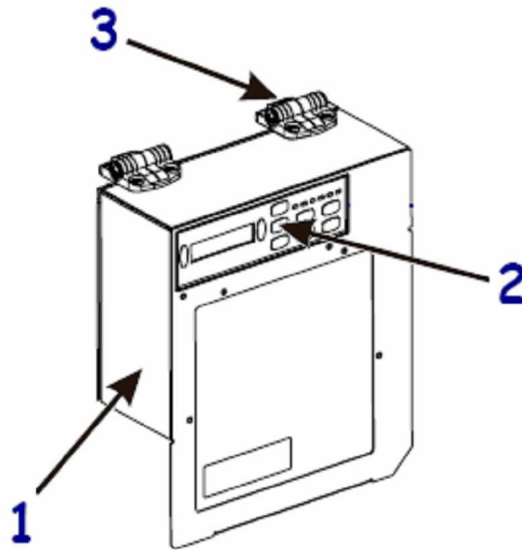


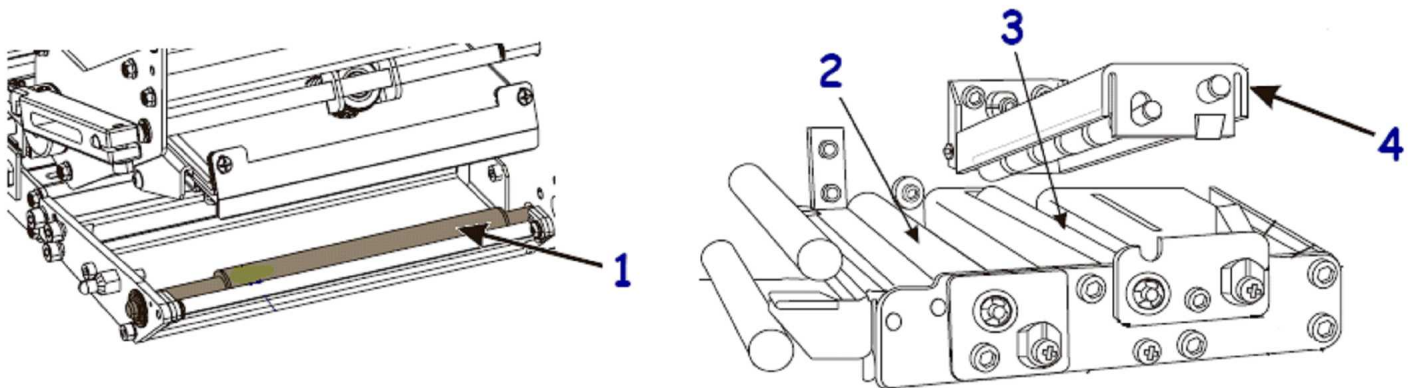
**110PAX3 Parts Catalog: Right Hand (RH) and Left Hand (LH) Units**

**Outer Casing Components**



Item Number	Description	Part Number	Kit Quantity
1	Kit Front Cover RH (does not include control panel or door hinges)	43093M	1
1	Kit Front Cover LH (does not include control panel or door hinges)	43166M	1
2	Kit Control Panel RH & LH	G49398M	1
	Kit Remote Control Front Panel RH & LH (replacement for factory installed remote only)	43397M	1
3	Kit Door Hinge RH & LH	49244M	2

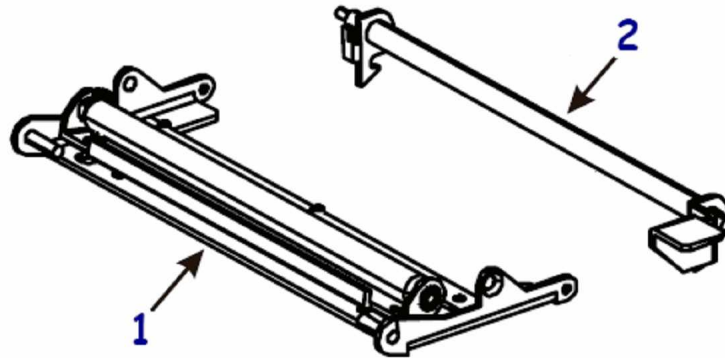
**Rollers**



Item Number	Description	Part Number	Kit Quantity
1	Kit Platen Roller RH & LH	G43110M	1
2	Kit Peel Roller RH & LH	43763M	1
3	Kit Elastomer Pinch Roller RH & LH	43764M	1
4	Kit Upper Pinch Segmented Roller Assembly RH	G43013M	1
4	Kit Upper Pinch Segmented Roller Assembly LH	G43012M	1

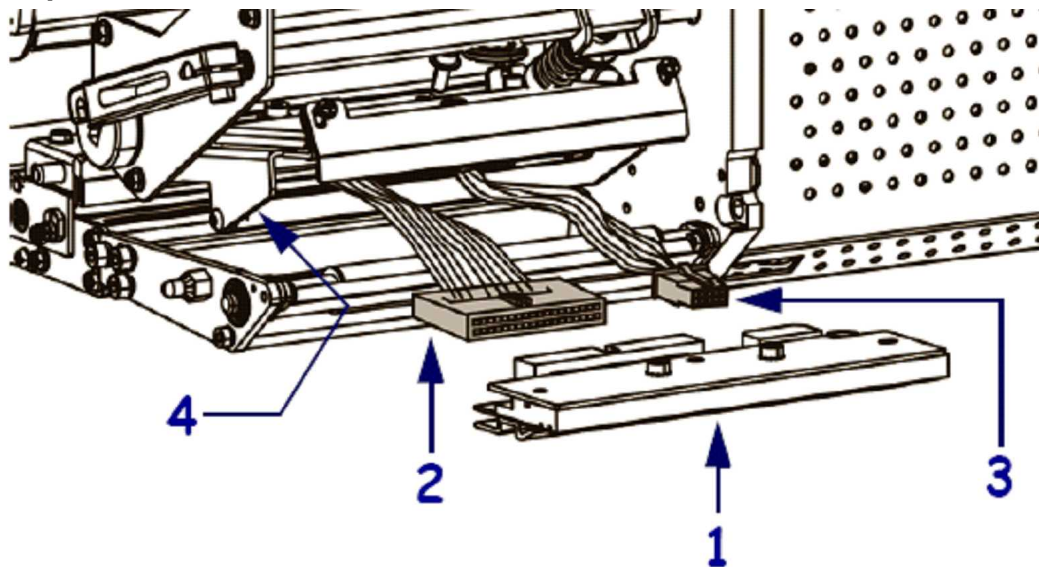
## 110PAX3 Parts Catalog: Right Hand (RH) and Left Hand (LH) Units

### Peel Roller Bracket and Latch



Item Number	Description	Part Number	Kit Quantity
1	Kit Bracket for Peel Roller	43310M	1
2	Latch Assembly for Peel Roller Bracket RH	43125	1
2	Latch Assembly for Peel Roller Bracket LH	43260	1

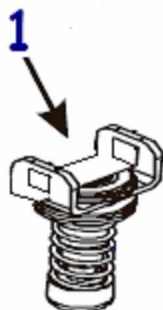
### Printhead Components



Item Number	Description	Part Number	Kit Quantity
1	Kit Printhead 203 dpi RH & LH	43036-1M	1
1	Kit Printhead 300 dpi RH	43038M	1
1	Kit Printhead 300 dpi LH	43075M	1
1	Kit Printhead 600 dpi RH & LH	G47500M	1
2	Printhead Data Cable RH 203 & 300 dpi	43628	1
2	Printhead Data Cable LH 203 & 300 dpi	43629	1
2	Printhead Data Cable RH 600 dpi	43585	1
2	Printhead Data Cable LH 600 dpi	43586	1
3	Printhead Power Cable RH & LH 203 & 300 dpi	43383	1
3	Printhead Power Cable RH & LH 600 dpi	43587	1
4	Printhead Bracket RH 203 & 300 dpi	57204	1
4	Printhead Bracket LH 203 & 300 dpi	57232	1
	Kit Printhead dpi Conversion 300 dpi to 203 dpi RH & LH	43569M	1
	Kit Printhead dpi Conversion 203 dpi to 300 dpi RH	43570M	1
	Kit Printhead dpi Conversion 203 dpi to 300 dpi LH	43571M	1

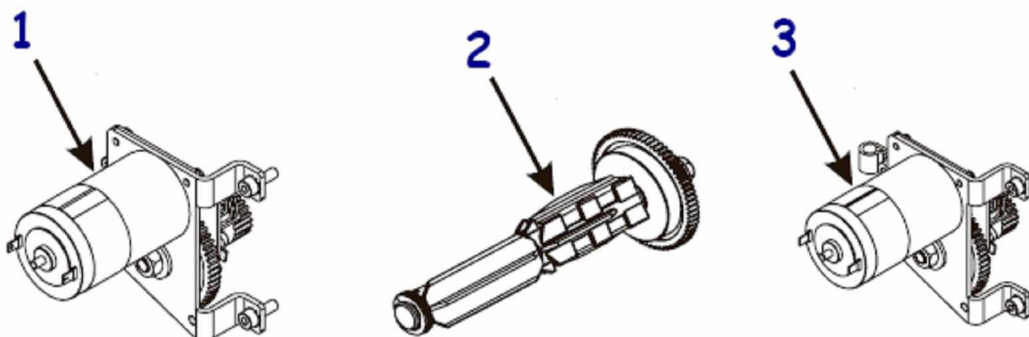
## 110PAX3 Parts Catalog: Right Hand (RH) and Left Hand (LH) Units

### Toggle Assembly



Item Number	Description	Part Number	Kit Quantity
1	Kit Toggle Assy RH & LH	43053M	1

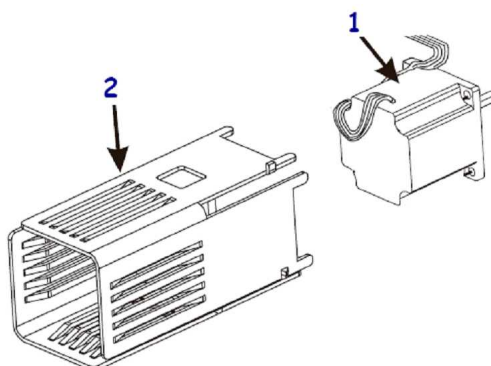
### Ribbon Spindles and Motors



Item Number	Description	Part Number	Kit Quantity
1	Kit DC Motor for Ribbon Supply Spindle RH	43068M	1
1	Kit DC Motor for Ribbon Supply Spindle LH	43087M	1
2	Kit Ribbon Supply Spindle or Ribbon Take-UP Spindle RH & LH	G43059M	1
3	Kit DC Motor for Ribbon Take-Up Spindle RH	43069M	1
3	Kit DC Motor for Ribbon Take-Up Spindle LH	43088M	1

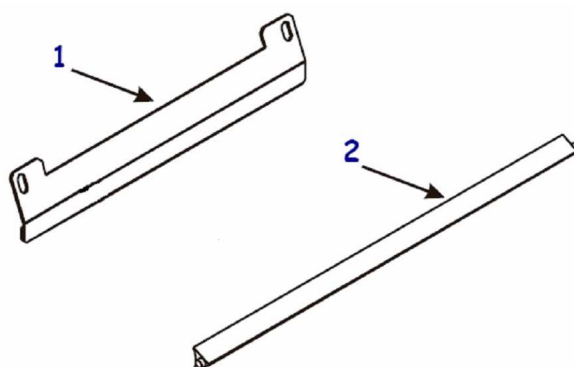
## 110PAX3 Parts Catalog: Right Hand (RH) and Left Hand (LH) Units

### Drive System Components



Item Number	Description	Part Number	Kit Quantity
1	Kit Stepper Motor RH & LH 203, 300, 600 dpi (does not include heat sink or pulley)	43418M	1
2	Kit Heat Sink for Stepper Motor RH & LH 203, 300, 600 dpi	43104M	1
	Kit Drive Belt and Pulley for Stepper Motor RH & LH 203 dpi	43266M	1
	Kit Drive Belt and Pulley for Stepper Motor RH & LH 300 dpi	43132M	1
	Kit Drive Belt and Pulley for Stepper Motor RH & LH 600 dpi	43713M	1
	Kit Pulley for Platen Roller RH & LH 203, 300, 600 dpi	43287M	1
	Kit Compound Pulley RH 203 & 300 dpi (includes platen roller drive belt)	43311M	1
	Kit Compound Pulley LH 203 & 300 dpi (includes platen roller drive belt)	43393M	1
	Kit Compound Pulley RH 600 dpi (includes platen roller drive belt)	43721M	1
	Kit Compound Pulley LH 600 dpi (includes platen roller drive belt)	43720M	1
	Drive Belt for Platen Roller RH & LH 203, 300, 600 dpi	43135M	1
	Drive Belt Serpentine Peel & Pinch Roller RH & LH 203, 300, 600 dpi	43140	1

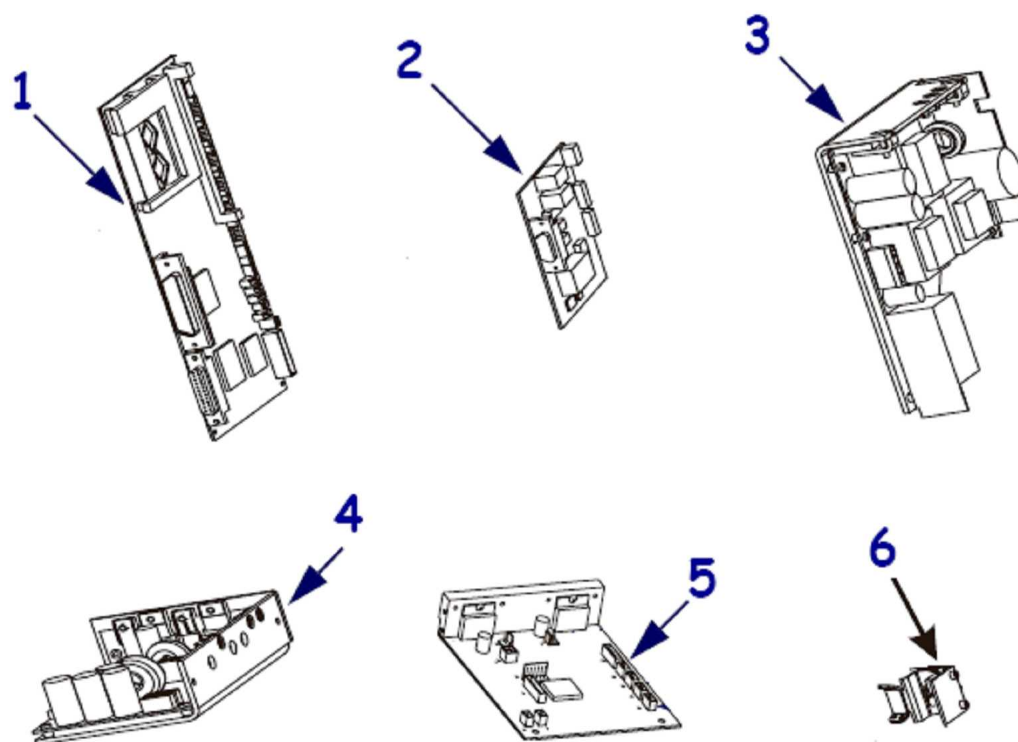
### Ribbon Strip Plate - Peel Bar



Item Number	Description	Part Number	Kit Quantity
1	Ribbon Strip Plate RH & LH	43049	1
2	Peel Bar RH & LH	43114	1

## 110PAX3 Parts Catalog: Right Hand (RH) and Left Hand (LH) Units

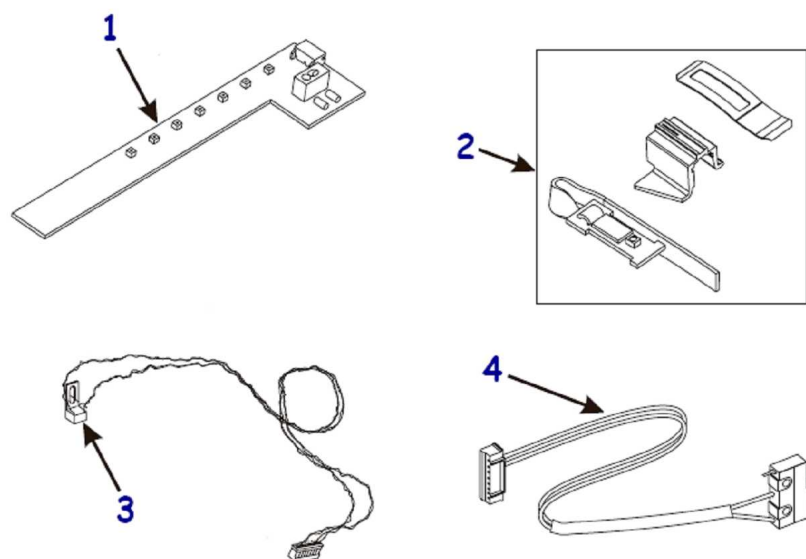
### Electronic Components



Item Number	Description	Part Number	Kit Quantity
1	Kit Main Logic Board RH & LH	43402M	1
2	Kit Applicator Interface Board with RTC (without Remote Control Panel Connection)	43447M	1
2	Kit Applicator Interface Board with RTC (with Remote Control Panel Connection)	43448M	1
2	Kit Applicator Interface with RTC & Counter (without Remote Control Panel Connection)	43540M	1
2	Kit Applicator Interface with RTC & Counter (with Remote Control Panel Connection)	43541M	1
3	Kit AC Power Supply RH & LH	43236M	1
4	Kit DC Power Supply RH	G43238M	1
4	Kit DC Power Supply LH	G43240M	1
5	Kit Motor Control Board RH & LH	G43210M	1
6	Kit 28V Regulator PCB RH & LH	43360M	1
	Kit Internal Print Server II (10-baseT)	G46689	1
	Kit External Print Server II (10-baseT)	G46692	1

## 110PAX3 Parts Catalog: Right Hand (RH) and Left Hand (LH) Units

### Sensors



Item Number	Description	Part Number	Kit Quantity
1	Kit Lower Media Sensor RH	G43212M	1
1	Kit Lower Media Sensor LH	G43250M	1
2	Kit Upper Media Sensor RH	G43214M	1
2	Kit Upper Media Sensor LH	G43084M	1
3	Kit Ribbon Sensor RH	G46665M	1
3	Kit Ribbon Sensor LH	G43467M	1
4	Kit Door Open Switch RH & LH	43394M	1
	Printhead Open Sensor	37920	1

### Packing Material for Printer Shipping

Item Number	Description	Part Number	Kit Quantity
	Kit Packing Material	G57533PM	1





## 110PAX3 Parts Catalog: Right Hand (RH) and Left Hand (LH) Units

### Hardware

Item Number	Description	Part Number	Kit Quantity
	Screw M4 x 0.7 x 12, Qty of 25	HW10432	25
	Washer Split M4, Qty of 25	HW45931	25
	Screw M4 x 0.7 x 20, Qty of 10	HW49180	10
	Screw M3 x 0.5 x 14, Qty of 10	HW49185	10
	Washer Split M3, Qty of 50	HW10471	50
	Screw M3 x 0.5 x 8mm, Qty of 25	HW44924	25
	Crescent Ring Ext .250 Yel, Qty of 100	HW33810	100
	Screw M3 x 0.5 x 6, Qty of 50	HW78805	50
	Washer Lock Extrnl 6 Bag 100	HW45946	100
	Rivet Snap .138 x .08, Qty of 10	HW48182	10
	Ring E Ext .312 Yel, Qty of 25	HW06250	25
	Screw 6-32 x .37 Bu So H Bo, Qty of 25	HW30402-006	25
	Screw M3 x .5 x 6, Qty of 50	HW78804	50
	Flt Washer .250 x .125 x .028, Qty of 100	HW43893	100
	Ring Ext Ret, Qty of 25	HW49228	25
	Wave Washer Adj Hub, Qty of 5	HW49227	5
	Spring Compression .07 x .12 x .31, Qty of 25	HW46166	25
	Screw M4 x 0.7 x 10, Qty of 25	HW10856	25
	Washer Adj Hub, Qty of 5	HW49223	5
	Screw M3 x .5 x 4, Qty of 50	HW78803	50
	Washer FI M3, Qty of 50	HW10470	50
	Ring E Ext .140 x .025, Qty of 25	HW30485	25
	Ring E Ext .094, Qty of 25	HW07309	25
	Ring E Ext .125, Qty of 100	HW45947	100
	Screw Set Cup M3 x 0.5 x 4, Qty of 25	HW44147	25
	Screw M3 x 0.6 x 20, Qty of 25	HW49152	25
	Washer Flat Nylon, Qty of 25	HW46128	25
	Cvd Washer .344 x .172 x .006, Qty of 25	HW40194	25
	Screw M3.5 x 0.5 x 11, Qty of 25	HW44001	25
	Screw M3 Special, Qty of 25	HW43863	25
	Nut Hex M3, Qty of 25	HW10460	25
	Washer FI .500 x .191 x .030 Qty of 25	HW33805	25
	E Ring, Qty of 50	HW02133	50
	Screw M3 x 0.5 x 18, Qty of 10	HW10412	10
	Washer .32 x .119 x .062 Neo Bl, Qty of 25	HW30494	25
	Nut Hex M5 X .8 X 2.6, Qty of 25	HW44055	25
	SC M5X0.8X12 Pan PH ZN QTY 25	HW43971	25
	Head Open Flag, Qty of 50	HW46352	50