



G-Series Spare Parts List

Contents:

GK420d.....pg. 2

GK420t.....pg.3

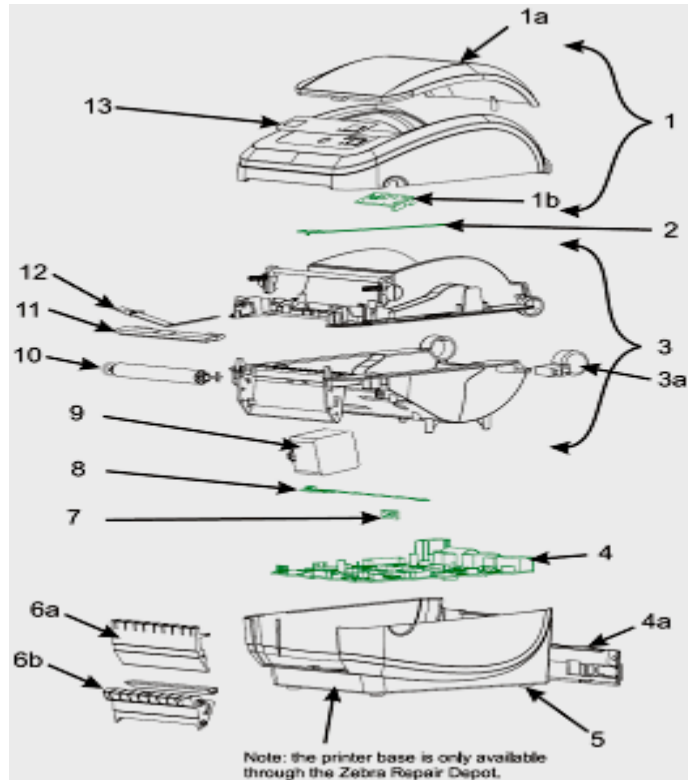
GX420d.....pg.4

GX420t.....pg.5

GX430t.....pg.6

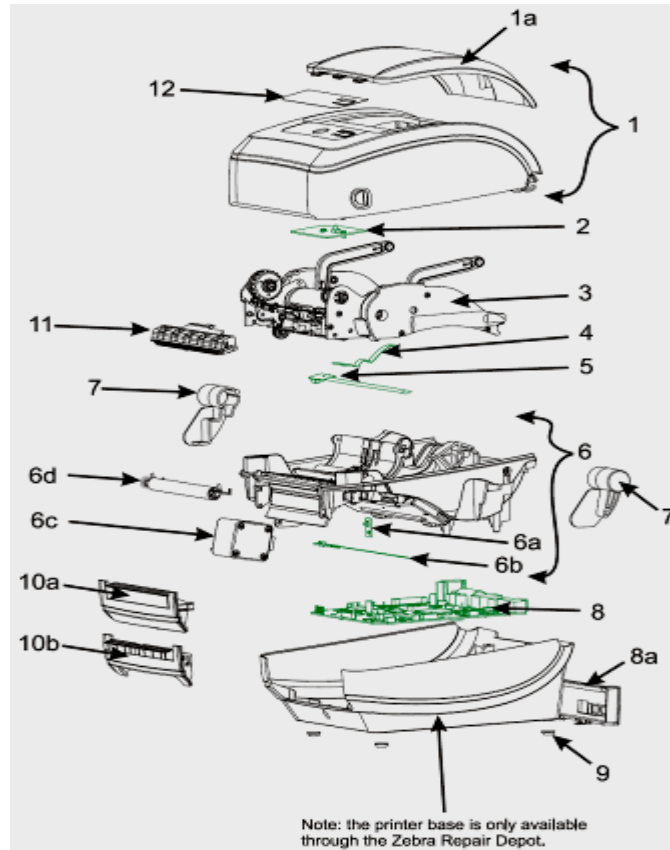


Spare Parts Listing – GK420d



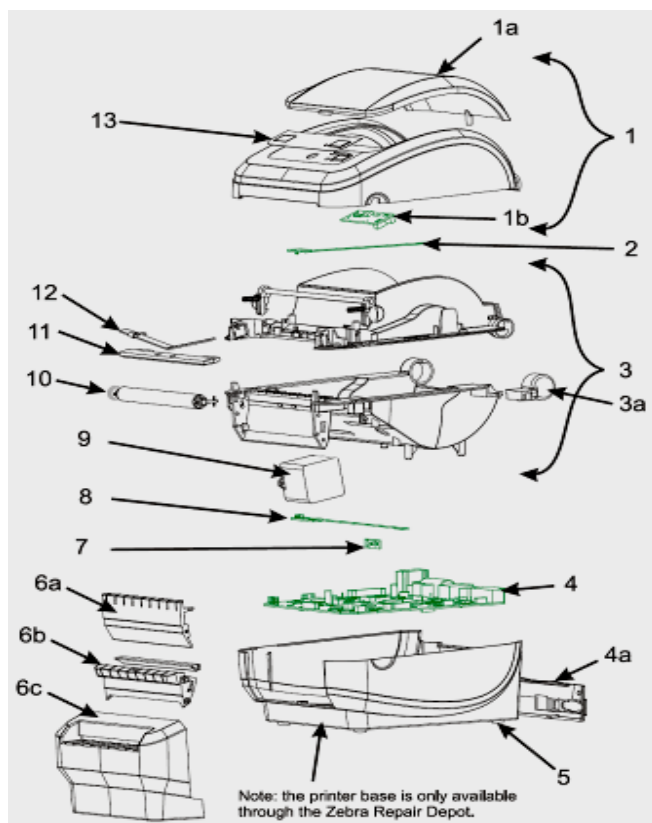
Item	Description	Part Number
1	Cover Assy (d) (includes Media Window)	105934-005
1a	Media Window (d)	105934-001
1b	Feed Switch (d)	105934-003
2	Upper Gap Sensor, Fixed (d)	105934-007
3	Print Mech. Fixed Sensor (d) (includes Hinge, Print Head Cables, Feed Switch Cable)	105934-011
3a	Cover Hinge (d)	105934-047
4	GK Main Logic Board, USB/Serial	105934-070
4a	Back Panel, USB/Serial (d)	105934-071
4	GK Main Logic Board, USB/Ethernet	105934-073
4a	Back Panel, USB/Ethernet (d)	105934-074
	Interface Fuse, 1A	105934-076
5	Rubber Foot (set of 4)	105934-024
6a	Front Bezel, Std (d)	105934-025
6b	Front Bezel, Dispenser (d)	105934-026
7	Head Up Sensor (d)	105934-041
8	Gap/Blackline Sensor, Fixed (d)	105934-043
9	Motor Assy., 203dpi	105934-022
10	Platen, Std (d)	105934-034
11	Printhead, 203dpi (d)	105934-037
12	Printhead Spring/Clip (d)	105934-040
13	Nameplate, GK420d	105934-060
	Shipping Pack (d)	105934-050
	Users CD-ROM	105934-052
	Power Supply, 70W C13 with US & Euro Cords	105934-053
	Power Cord, 220V Euro C13 (set of 5)	105950-015
	Power Cord, 240V UK,C13 (set of 5)	105950-030

Spare Parts Listing – GK420t



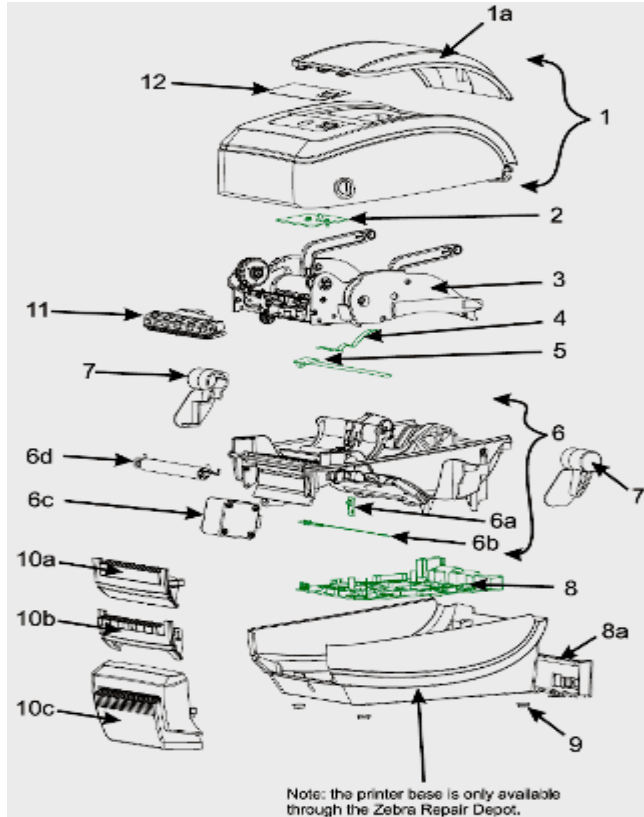
Item	Description	Part Number
1	Cover Assy (t) (includes Media Window)	105934-006
1a	Media Window (t)	105934-002
2	Feed Switch (t)	105934-004
3	Ribbon Carriage, 203 dpi	105934-017
4	Upper Gap Sensor, Fixed (t)	105934-009
5	Ribbon Out Sensor (t)	105934-046
6	Print Mech. Fixed Sensor (t) inc. Gap/Blackline Snsr, Motor, Platen, Head Up Snsr	105934-013
6b	Gap/Blackline Sensor, Fixed (t)	105934-045
6a	Head Up Sensor (t)	105934-042
6c	Motor Assy., 203dpi	105934-022
6d	Platen, Std (t)	105934-035
7	Cover Hinge R&L (t)	105934-048
8	GK Main Logic Board, USB/Serial	105934-070
8a	Back Panel, USB/Serial (t)	105934-072
8	GK Main Logic Board, USB/Ethernet	105934-073
8a	Back Panel, USB/Ethernet (t)	105934-075
	Interface Fuse, 1A	105934-076
9	Rubber Foot (set of 4)	105934-024
10a	Front Bezel, Std (t)	105934-030
10b	Front Bezel, Dispenser (t)	105934-031
11	Printhead, 203dpi (t)	105934-038
12	Nameplate, GK420t	105934-061
	Shipping Pack (t)	105934-051
	Users CD-ROM	105934-052
	Power Supply, 70W C13 with US & Euro Cords	105934-053
	Power Cord, 220V Euro C13 (set of 5)	105950-015
	Power Cord, 240V UK,C13 (set of 5)	105950-030

Spare Parts Listing – GX420d



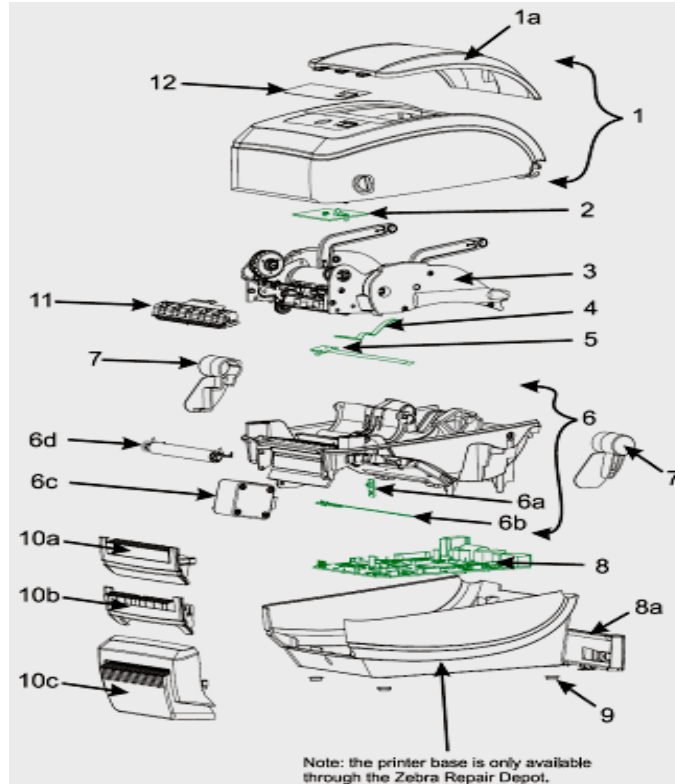
Item	Description	Part Number
1	Cover Assy (d) (includes Media Window)	105934-005
	LCD Cover Assy (d) (includes Media Window)	105934-049
1a	Media Window (d)	105934-001
1b	Feed Switch (d)	105934-003
	LCD Display/Feed Switch (with Bluetooth Wireless)	105934-056
	LCD Display/Feed Switch (with 802.11g Wireless)	105934-057
2	Upper Gap Sensor, Fixed (d)	105934-007
2	Upper Gap Sensor, Movable (d)	105934-008
3	Print Mech, Fixed Sensor (d) (includes Hinge, Print Head Cables, Feed Switch Cable)	105934-011
3	Print Mech, Movable Sensor (d) (includes Hinge, Print Head Cables, Feed Switch Cable)	105934-012
3a	Cover Hinge (d)	105934-047
4	GX Main Logic Board, USB/Serial/Parallel	105934-080
4	GX Main Logic Board, USB/Serial/Parallel, XMEM, RTC	105934-081
4a	Back Panel, USB/Serial/Parallel (d)	105934-082
4	GX Main Logic Board, USB/Serial/Ethernet	105934-084
4	GX Main Logic Board, USB/Serial/Ethernet, XMEM, RTC	105934-085
4a	Back Panel, USB/Serial/Ethernet (d)	105934-086
4	GX Main Logic Board, USB/Serial/802.11g Wireless XMEM	105934-091
4	GX Main Logic Board, USB/Serial/Bluetooth Wireless XMEM	105934-092
4a	Back Panel, USB/Serial/Wireless (d)	105934-089
	Interface Fuse, 1A	105934-076
	Battery, 3V Lithium (set of 10)	G105950-003
5	Rubber Foot (set of 4)	105934-024
6a	Front Bezel, Std (d)	105934-025
6b	Front Bezel, Dispenser (d)	105934-026
6c	Medium Duty Cutter (d)	105934-029
7	Head Up Sensor (d)	105934-041
8	Gap/Blackline Sensor, Fixed (d)	105934-043
8	Gap/Blackline Sensor, Moveable	105934-044
9	Motor Assy, 203dpi	105934-022
10	Platen, Std (d)	105934-034
11	Printhead, 203dpi (d)	105934-037
12	Printhead Spring/Clip (d)	105934-040
13	Nameplate, GX420d	105934-062
	Nameplate, GX420d with LCD	105934-067
	Shipping Pack (d)	105934-050
	Users CD-ROM	105934-052
	Power Supply, 100W C13 with US & Euro Cords	105934-054
	Power Cord, 220V Euro C13 (set of 5)	105960-015
	Power Cord, 240V UK,C13 (set of 5)	105960-030

Spare Parts Listing – GX420t



Item	Description	Part Number
1	Cover Assy (t) (includes Media Window)	105934-006
1a	LCD Cover Assy (t) (includes Media Window)	Depot Only
	Media Window (t)	105934-002
2	Feed Switch (t)	105934-004
	LCD Display/Feed Switch (with Bluetooth Wireless)	105934-056
	LCD Display/Feed Switch (with 802.11g Wireless)	105934-057
3	Ribbon Carriage, 203 dpi	105934-017
4	Upper Gap Sensor, Fixed (t)	105934-009
	Upper Gap Sensor, Movable (t)	105934-010
5	Ribbon Out Sensor (t)	105934-046
6	Print Mech, Fixed Sensor (t) inc. Gap/Blackline Snr, Motor, Platen, Head Up Snr	105934-013
6b	Gap/Blackline Sensor, Fixed (t)	105934-045
6	Print Mech, Movable Sensor (t) inc. Gap/Blackline Snr, Motor, Platen, Head Up Snr	105934-014
6b	Gap/Blackline Sensor, Movable	105934-044
6a	Head Up Sensor (t)	105934-042
6c	Motor Assy, 203dpi	105934-022
6d	Platen, Std (t)	105934-035
7	Cover Hinge R&L (t)	105934-048
8	GX Main Logic Board, USB/Ser/Parallel	105934-080
8	GX Main Logic Board, USB/Ser/Parallel, XMEM, RTC	105934-081
8a	Back Panel, USB/Ser/Parallel (t)	105934-083
8	GX Main Logic Board, USB/Ser/Ethernet	105934-084
8	GX Main Logic Board, USB/Ser/Ethernet, XMEM, RTC	105934-085
8a	Back Panel, USB/Ser/Ethernet (t)	105934-087
8	GX Main Logic Board, USB/Ser/802.11g Wireless XMEM	105934-091
8	GX Main Logic Board, USB/Ser/Bluetooth Wireless XMEM	105934-092
8a	Back Panel, USB/Ser/Wireless (t)	105934-090
	Interface Fuse, 1A	105934-076
	Battery, 3V Lithium (set of 10)	G105950-003
9	Rubber Foot (set of 4)	105934-024
10a	Front Bezel, Std (t)	105934-030
10b	Front Bezel, Dispenser (t)	105934-031
10c	Medium Duty Cutter (t)	105934-033
11	Printhead, 203dpi (t)	105934-038
12	Nameplate, GX420t	105934-063
	Nameplate, GX420t with LCD	105934-068
	Shipping Pack (t)	105934-051
	Users CD-ROM	105934-052
	Power Supply, 100W C13 with US & Euro Cords	105934-054
	Power Cord, 220V Euro C13 (set of 5)	105950-015
	Power Cord, 240V UK C13 (set of 5)	105950-030

Spare Parts Listing – GX430t



Item	Description	Part Number
1	Cover Assy (t) (includes Media Window)	105934-006
1a	LCD Cover Assy (t) (includes Media Window)	Depot Only
	Media Window (t)	105934-002
2	Feed Switch (t)	105934-004
	LCD Display/Feed Switch (with Bluetooth Wireless)	105934-056
	LCD Display/Feed Switch (with 802.11g Wireless)	105934-057
3	Ribbon Carriage, 300 dpi	105934-018
4	Upper Gap Sensor, Fixed (t)	105934-009
	Upper Gap Sensor, Movable (t)	105934-010
5	Ribbon Out Sensor (t)	105934-046
6	Print Mech. Fixed Sensor, 300 dpi (t) inc. Gap/Blackline Snsr, Motor, Platen, Head Up Snsr	105934-015
6b	Gap/Blackline Sensor, Fixed (t)	105934-045
6	Print Mech. Moveable Sensor, 300 dpi (t) inc. Gap/Blackline Snsr, Motor, Platen, Head Up Snsr	105934-016
6b	Gap/Blackline Sensor, Moveable	105934-044
6a	Head Up Sensor (t)	105934-042
6c	Motor Assy., 300dpi	105934-023
6d	Platen, Std (t)	105934-035
7	Cover Hinge R&L (t)	105934-048
8	GX Main Logic Board, USB/Serial/Parallel	105934-080
8	GX Main Logic Board, USB/Serial/Parallel, XMEM, RTC	105934-081
8a	Back Panel, USB/Serial/Parallel (t)	105934-083
8	GX Main Logic Board, USB/Serial/Ethernet	105934-084
8	GX Main Logic Board, USB/Serial/Ethernet, XMEM, RTC	105934-085
8a	Back Panel, USB/Serial/Ethernet (t)	105934-087
8	GX Main Logic Board, USB/Serial/802.11g Wireless XMEM	105934-091
8	GX Main Logic Board, USB/Serial/Bluetooth Wireless XMEM	105934-092
8a	Back Panel, USB/Serial/Wireless (t)	105934-090
	Interface Fuse, 1A	105934-076
	Battery, 3V Lithium (set of 10)	G105950-003
9	Rubber Foot (set of 4)	105934-024
10a	Front Bezel, Std (t)	105934-030
10b	Front Bezel, Dispenser (t)	105934-031
10c	Medium Duty Cutter (t)	105934-033
11	Printhead, 300dpi (t)	105934-039
12	Nameplate, GX430t	105934-064
	Nameplate, GX430t with LCD	105934-069
	Shipping Pack (t)	105934-051
	Users CD-ROM	105934-052
	Power Supply, 100W C13 with US & Euro Cords	105934-054
	Power Cord, 220V Euro C13 (set of 5)	105950-015
	Power Cord, 240V UK,C13 (set of 5)	105950-030