



HC100 Wristband Printer - Spare Parts List

Master Assembly Drawing

All information provided in [Table 1](#) corresponds to the numbers shown in [Figure 1](#). For example, arrow 8 in the drawing is identifying the Main Logic Board assembly. According to [Table 1](#), Item 8 gives both, the name and the part number, for the kit assembly.

Kits

Table 1 • Master Assembly Kits

Item	Kit Part Number	Assembly Name
1	61340M	Upper Print Mechanism Cover
2	61330M	Printhead
3	61331M	Platen Roller
4	61341M	Print Mechanism Chassis
5	61342M	Main Frame
6	61338M	ZebraNet 10/100 Internal Print Server
7	61337M	Wireless Plus Internal Print Server
8	61335M	Main Logic Board, 8 MB
	61336M	Main Logic Board, 64 MB
9	61339M	Smart Card Reader
10	61343M	Outer Enclosure and Trim
11	61332M	Cleaning Card (Not shown)



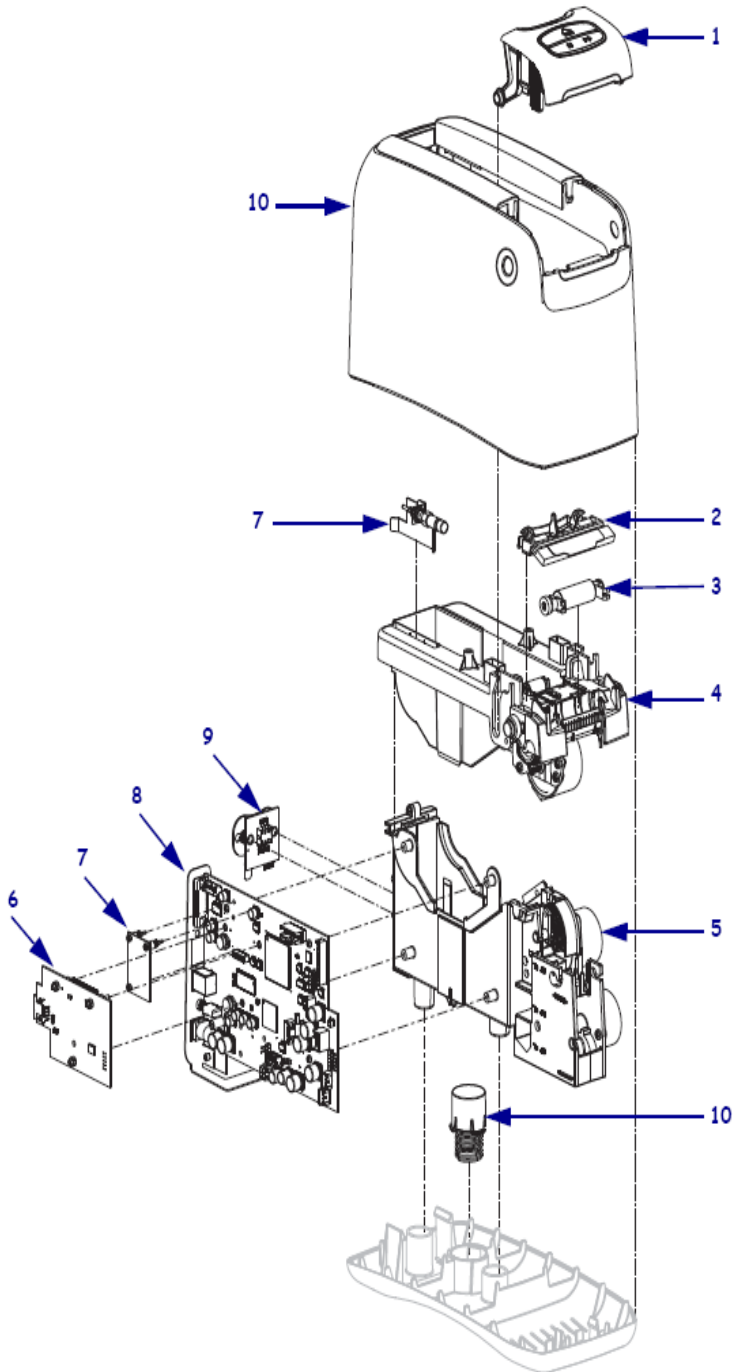
Important • The printer base is not included in any kit and thus, appears gray in [Figure 1](#).





HC100 Wristband Printer - Spare Parts List

Figure 1 • Master Assembly Drawing



Zebra Technologies Corporation

333 Corporate Woods Parkway » Vernon Hills, IL 60061-3109 USA T+1 847 634 6700 F+1 847 913 8766 www.zebra.com

