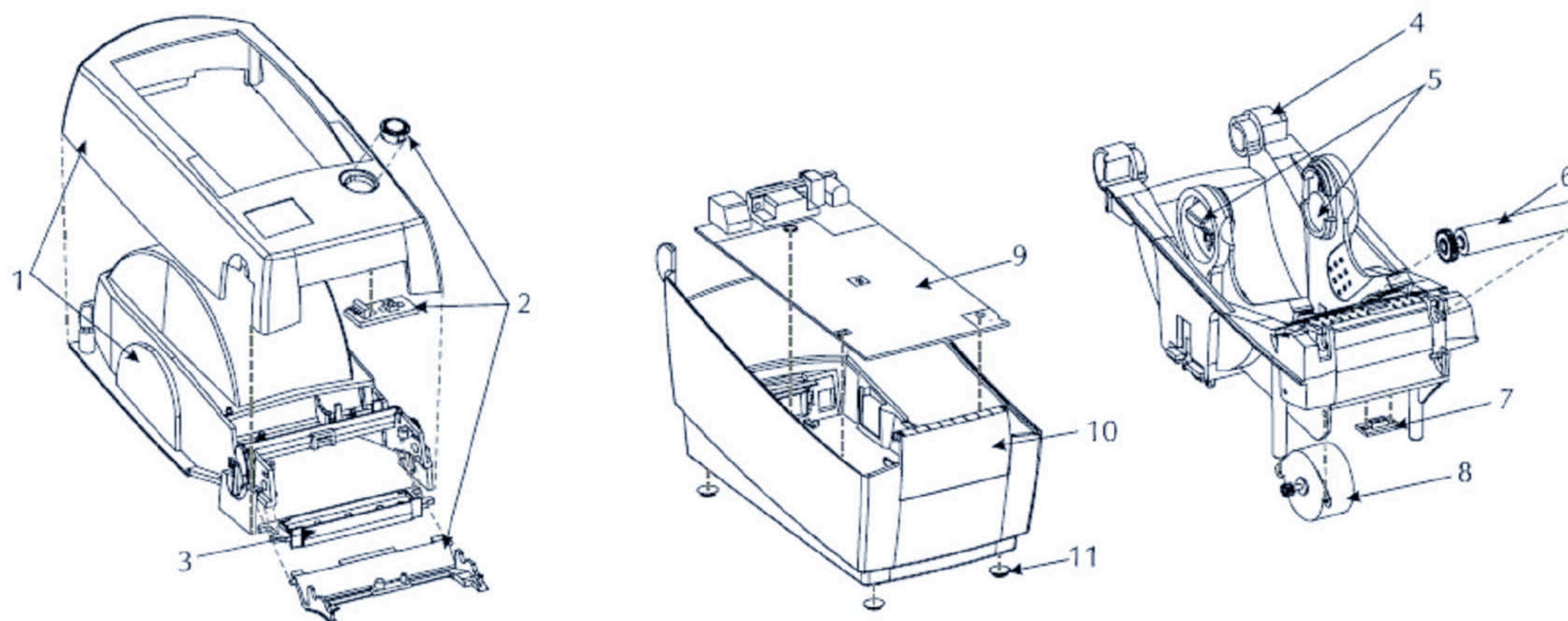


LP 2824 (with serial number 22AXXXXX) Parts Catalog

View 1



| Item Number | Description | Part Number | Kit Quantity |
|-------------|---|-------------|--------------|
| 1 | Housing Cover Assy. | G105910-110 | 1 |
| 2 | Feed Switch / Sensor Assy. | G105910-145 | 1 |
| 3 | Printhead Assy. (203 dpi) | G105910-102 | 1 |
| 4 | Cover Hinge | G105910-179 | 10 |
| 5 | Frame Assy. w/o Platen | G105910-112 | 1 |
| 6 | Platen Kit, std. | 105910-107 | 1 |
| 6 | Platen Kit, Liner Free | 105910-106 | 1 |
| 7 | Gap / Blackline Sensor PCBA | G105910-054 | 3 |
| 7 | Head Up Sensor | G105910-072 | 1 |
| 8 | Motor, Assy. | G105910-108 | 1 |
| 9 | Main Control PCBA, std. Ser./USB | G105910-138 | 1 |
| 9 | Main Control PCBA, std. Par. | G105910-139 | 1 |
| 9 | Main Control PCBA, std. Ser./Ethernet | G105910-140 | 1 |
| 9 | Main Control PCBA, Asian Ser./USB/Cutter | G105910-141 | 1 |
| 9 | Main Control PCBA, Asian Par./Cutter | G105910-142 | 1 |
| 9 | Main Control PCBA, Asian Ser./Cutter/Ethernet | G105910-143 | 1 |
| 9 | Kit, Ethernet IO PCBA with cables | G105910-121 | 1 |
| 9 | Kit, PrintServerII Daughter Board | G105910-123 | 1 |
| 9 | Real Time Clock / Date I.C. | G105910-126 | 1 |
| 9 | Real Time Clock / Date PCBA | G105910-144 | 1 |
| 10 | Front Bezel, LP2824 | 105910-164 | 3 |
| 11 | Rubber Foot Kit | 105910-007 | 24 |

**LP 2824 (with serial number 22AXXXXXX) Parts Catalog**

| Item Number | Description | Part Number | Kit Quantity |
|--------------------|---|--------------------|---------------------|
| | Power Supply, 100V-240V (C5) with US & EUR Cords (200dpi) | 105950-060 | 1 |
| | Power Supply, 100V-240V (C5) with UK & EUR Cords (200dpi) | 105950-076 | 1 |
| | Power Cord, U.S. 120V, IEC320C5 | 105950-061 | 5 |
| | Power Cord, Euro 220V, IEC320C5 | 105950-062 | 5 |
| | Power Cord, U.K. 240V, IEC320C5 | 105950-063 | 5 |
| | Power Cord, Australia 240V, IEC320C5 | 105950-064 | 5 |
| | Power Cord, China 220V, IEC320C5 | 105950-065 | 5 |
| | Power Cord, Argentina 220V, IEC320C5 | 105950-066 | 5 |
| | Power Cord, Japan 125V, IEC320C5 | 105950-077 | 5 |
| | Dispenser Option | G105910-118 | 1 |
| | Latch Assembly | 105910-178 | 1 |
| | Cutter Replacement Kit | G105910-119 | 1 |
| | Shipping Pack | 105910-120 | 1 |
| | CD-ROM, EPL Desktop Printers Software & Documentation | 105950-028 | 1 |
| | CD-ROM, Service Documentation | 105950-051 | 1 |