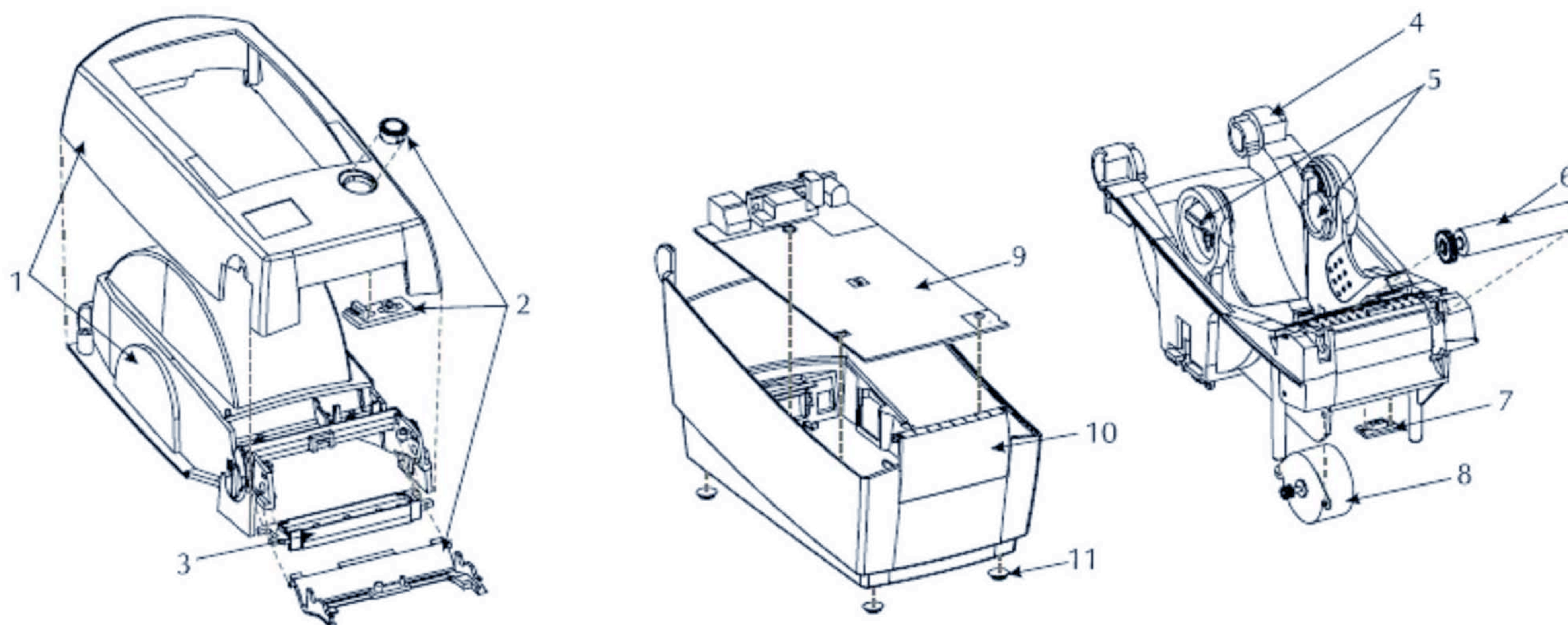


LP 2824 (with serial number 61XXXXXX) Parts Catalog

View 1



Item Number	Description	Part Number	Kit Quantity
1	Housing Cover Assy.	105910-110	1
2	Feed Switch / Sensor Assy.	105910-109	1
3	Printhead Assy. (203 dpi)	105910-102	1
4	Cover Hinge	105910-179	10
5	Frame Assy. w/o Platen	105910-112	1
6	Platen Kit, std.	105910-107	1
6	Platen Kit, Liner Free	105910-106	1
7	Gap / Blackline Sensor PCBA	105910-111	1
8	Motor, Assy.	105910-108	1
9	Main Control PCBA, Ser. w/Head-Up	105910-126	1
9	Main Control PCBA, Par. w/Head-Up	105910-127	1
9	Real Time Clock / Date I.C.	105950-026	1
10	Front Bezel, LP2824	105910-164	3
11	Rubber Foot Kit	105910-007	24
	Power Supply, 100V-240V (C5) with US & Euro Cords (200dpi)	105950-060	1
	Power Supply, 100V-240V (C5) with UK & EUR Cords (200dpi)	105950-076	1
	Power Cord, U.S. 120V, IEC320C7	105950-038	5
	Power Cord, Euro 220V, IEC320C7	105950-039	5
	Power Cord, U.K. 240V, IEC320C7	105950-040	5
	Power Cord, Australia 240V, IEC320C7	105950-041	5
	Dispenser Option	105910-118	1
	Cutter Replacement Kit	105910-119	1
	Shipping Pack	105910-120	1
	CD-ROM, EPL Desktop Printers Software & Documentation	105950-028	1
	CD-ROM, Service Documentation	105950-051	1